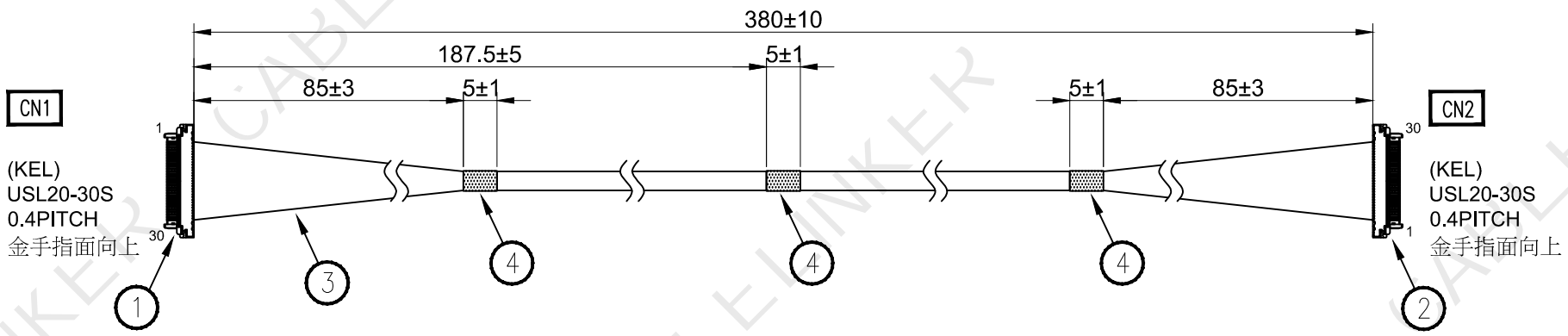


ON

Pin Assignment																
CONN.1	1	2	3	4	5	~	~	~	~	~	26	27	28	29	30	
CONN.2	30	29	28	27	26	~	~	~	~	~	5	4	3	2	1	
SIGNAL																
A.W.G	42	42	42	42	42	42	42	42	42	42	42	42	42	42	42	
Remark																



- NOTES
- (1) Withstand
 - 1. Withstand voltage: AC200 V
 - 2. Cut-off current: 1mA
 - 3. Withstand time: 0.5sec/point
 - (2) Insulation
 - 1. Insulation voltage: DC250 V
 - 2. Insulation resistance: 100MΩ
 - 3. Insulation time: 1.0 sec/point

出 圖

KEL JAPAN



Unit : mm(inch)

NO.	Component	Quantity	Part name	Maker	Remark
4	Tape	3	日東膠帶 No.903UL	Comparable	Color:半透明 W=5 L=15
3	Cable	30	Miniature Coaxial Cable 42AWG-PFA	Comparable	Color:鍍藍 or 鍍綠
2	Connector	1	USL20-30S	KEL	
1	Connector	1	USL20-30S	KEL	

△															
△															
	REV DATE.	APPROVED BY	DRAWN BY	DATE	CHECKED BY	DATE	APPROVED BY	DATE	SCALE	DESCRIPTION					
	THIRD ANGLE PROJECTION	DRAWN BY	DATE	CHECKED BY	DATE	APPROVED BY	DATE	SCALE	1:1						
	MATERIAL	CONTACT OIL	GENERAL TOLERANCE												
	FINISH	TITLE	DRAWING No.			SHEET REVISION									
		USL20-30SS-038-C+T3P				1/1									